

# JAY-BE<sup>®</sup>

Sleep Smart

## Gæstesenge til hoteller og professionel brug



Nordisk distributør: Lotus Belle Nordic Aps

Tlf. +45 27 28 60 53 E-mail: [jonas@lotusbelle.dk](mailto:jonas@lotusbelle.dk)

Suitable for contract

# Crown Premier

Single Folding Bed  
Available with a Deep Sprung Core mattress.

**Packed Size & Weights\*** 80 x 54 x 94cm (0.41m<sup>3</sup>)  
37kg

**Packed size**  
**Packed weight**

**Product Weights\*** 34kg

**Mattress Size & Product Codes\***  
W76 x L190 x D18cm 980845

Space under the bed when open: 21cm  
Recommended maximum user weight 100kg\*\*

\*Metric and imperial sizes are not exact equivalents  
There can be a tolerance of +/- 2cm (+/- 0.8ins) with all quoted measurements.  
\*\*User weights are based on British and European Safety Tests.

## Certifications

Tested and certified by UKAS accredited testing houses North American safety standards.

### Frame

BS EN 1725

### Mattress

BS EN 597-1 - FR requirement  
BS EN 597-2 - FR requirement  
BS 6807 - Clause 9 (Source 5) FR requirement  
BS 7177 Contract - FR requirements  
16 CFR 1633 Standard



Made in the UK



Lifetime frame guarantee



Mattress depth



J-Tex sprung base



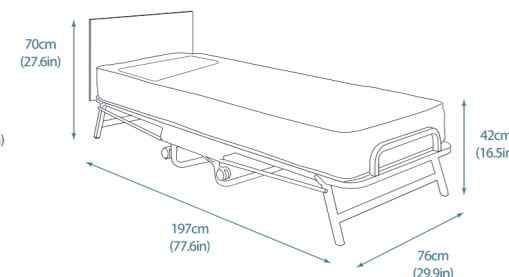
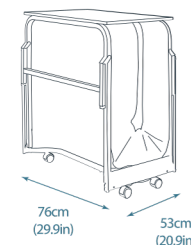
360° castors

\*The Crown Premier features contract standard fire resistant wool layers.  
5 year frame guarantee when used in contract environments.  
Product is sold subject to Jay-Be® standard terms and conditions. See full terms at [jay-be.com/legal](https://www.jay-be.com/legal)

## Features

- A heavy duty, reliable solution for Guest Houses, Hotels and other contract environments.
- Deep sprung mattress with luxury lambswool filling for comfort and temperature regulation.
- Easy to wipe clean durable powder coat painted steel frame.
- Fully automatic folding legs make it easy to open and close in seconds.
- Full width headboard† with a Beech effect finish.
- FSC Certified Wood – harvested from 100% approved, traceable, sustainable and ethical sources.
- Foot end to keep your mattress in place.
- Heavy duty 360° castors for easy manoeuvrability.
- J-Tex sprung base system for durability, support and comfort.
- Made with sustainably sourced, recyclable materials reducing landfill waste.
- Exceeds British, European and North American safety standards.

† This product requires assembly with its headboard.



Deep Sprung



Crown Premier Single with a Deep Sprung Core mattress

106801

Feel good, sleep well.™



100% foam free



Recyclable steel frame



Helping protect wildlife



Sustainable e-Fibre



FSC certified wood

Suitable for contract

# Visitor Contract Single Folding Bed

Available with a Performance e-Fibre™ mattress.

## Packed Size & Weights\*

**Packed size** 80 x 30 x 95cm (0.23m<sup>3</sup>)

**Packed weight** 18.1kg

**Product Weights\*** 16kg

## Mattress Size & Product Codes\*

W77 x L191 x D10cm 907802

Space under the bed when open: 25cm

Recommended maximum user weight 160kg\*\*

\*Metric and imperial sizes are not exact equivalents  
There can be a tolerance of +/- 2cm (+/- 0.8ins) with all quoted measurements.  
\*\*User weights are based on British and European Safety Tests.

## Certifications

Tested and certified by UKAS accredited testing houses North American safety standards.

Frame	Mattress
BS EN 1725	BS EN 597-1 - FR requirement
	BS EN 597-2 - FR requirement
	BS 6807 - Clause 9 (Source 5) FR requirement
	BS 7177 Contract - FR requirements
	16 CFR 1633 Standard



Made in the UK



Lifetime frame guarantee



Mattress depth



J-Text sprung base

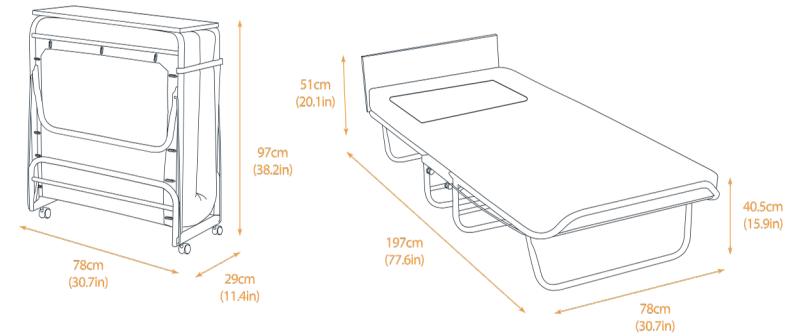


360° castors

† This folding bed features a Performance e-Fibre mattress so it is suitable for use in contract environments.  
5 year frame guarantee when used in contract environments.  
Product is sold subject to Jay-Be® standard terms and conditions. See full terms at [jaybe.com/legal](http://jaybe.com/legal)

## Features

- Practical and reliable solution for Guest Houses, Hotels and other contract environments.
- Specifically made to meet the legal requirements for contract use.
- Fully automatic folding legs make it easy to open and close in seconds.
- Full width headboard† with a Walnut effect finish.
- FSC Certified Wood – harvested from 100% approved, traceable, sustainable and ethical sources.
- Foot end to keep your mattress in place.
- 360° castors† for easy manoeuvrability.
- J-Text sprung base system for durability, support and comfort.
- Durable powder coat paint finish.
- Made with sustainably sourced, recyclable materials reducing landfill waste.
- Exceeds British, European and North American safety standards.



Visitor Contract Single with a Performance e-Fibre mattress

107802

† This product requires assembly with its castors and headboard.



Feel good, sleep well.™

# J-Bed™

## Single Folding Bed

Available with Performance e-Fibre™  
or a Micro e-Pocket mattress.

Packed Size & Weights\* 97x39x119cm(0.45m<sup>3</sup>)

**Packed size** 30.6kg

**Performance e-Fibre†** 34.1kg

**Micro e-Pocket**

**Product Weights\***

**Performance e-Fibre†** 27kg

**Micro e-Pocket** 30.5kg

**Mattress Size & Product Codes\***

W88 x L199 x D10cm

**Performance e-Fibre†** 91094

**Micro e-Pocket** 5

91096

Space under the bed when open: 22cm

Recommended maximum user weight: 135kg\*\*

\*Metric and imperial sizes are not exact equivalents  
There can be a tolerance of +/- 2cm (+/- 0.8ins) with all quoted measurements.

### Certifications

Tested and certified by UKAS accredited testing houses North American† safety standards. (†Contract ready models)

Frame	Mattress
BS EN 1725	BS EN 597-1 - FR requirement
	BS EN 597-2 - FR requirement
	BS 7177 Domestic - FR requirements
	BS 6807 - Clause 9 (Source 5) FR requirement †
	BS 7177 Contract - FR requirements †
	16 CFR 1633 Standard †



Made in the UK



Lifetime frame guarantee



Mattress depth



Sprung slatted base



360° castors



J-Lok mechanism

\*The J-Bed Performance e-Fibre features a mattress suitable for contract markets and the USA. 5 year frame guarantee when used in contract environments. Product is sold subject to Jay-Be® standard terms and conditions. See full terms at [jaybe.com/legal](http://jaybe.com/legal)

# JAY-BE®

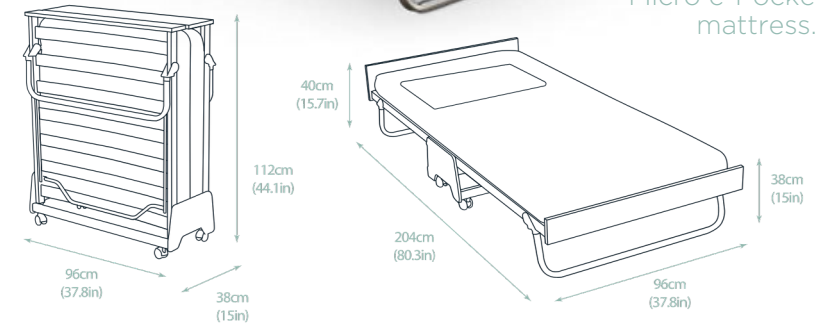
Sleep Smart

### Features

- Bringing together the most innovative technologies to create one of the most luxurious folding guest beds imaginable.
- Larger than a regular single bed.
- Exclusive J-Lok mechanism enables effortless opening and closing, one side at a time.
- Lightweight anodised aluminium frame.
- Full width headboard and footboard with an Oak effect finish.
- Traditional sprung slatted base for adaptable support.
- FSC Certified Wood – harvested from 100% approved, traceable, sustainable and ethical sources.
- 360° castors for easy manoeuvrability.
- Made with sustainably sourced, recyclable materials reducing landfill waste.
- Exceeds British, European and North American† safety standards.

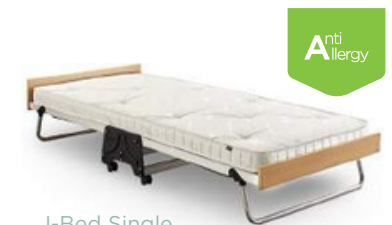


Product shown with a Micro e-Pocket mattress.



J-Bed Single with a Performance e-Fibre† mattress

110900



J-Bed Single with a Micro e-Pocket mattress

110965

Feel good, sleep well.™



100% foam free



Recyclable steel frame



Recyclable plastic brackets



Helping protect wildlife



Sustainable e-Fibre



FSC certified wood



# Contract Upright Bed

## with Traditional Tufted Mattress

### Frame Size

Upright W92 x L196 x D54cm

Space under the bed when flat: 24 cm  
Recommended maximum user weight: 190kg\*

### Product Weights\*

Frame only 33kg

### Mattress Size & Weight\*

e-Sprung: W92 x L183 x D18cm 14.7kg  
e-Pocket: W92 x L183 x D20cm 15kg

### Packed Size & Weights\*

e-Sprung: W92 x L196 x D54cm (0.97m<sup>3</sup>) 49.7kg  
e-Pocket: W92 x L196 x D54cm (0.97m<sup>3</sup>) 50kg

\*Metric and imperial sizes are not exact equivalents  
There can be tolerance of +/- 2cm (+/- 0.8ins) with all quoted measurements.

### Certifications

Tested and certified by UKAS accredited testing houses.

Frame BS EN 1725	Mattress BS EN 597-1 - FR requirement BS EN 597-2 - FR requirement BS 6807 - Clause 9 (Source 5) FR requirement BS 7177 Contract - FR requirements - medium hazard 16 CFR 1633 Standard
---------------------	--



Made in the UK



5 year manufacturer's guarantee



Sustainable Materials



FSC certified wood

Product is sold subject to Jay-Be® standard terms and conditions.  
See full terms at [jaybe.com/legal](http://jaybe.com/legal)

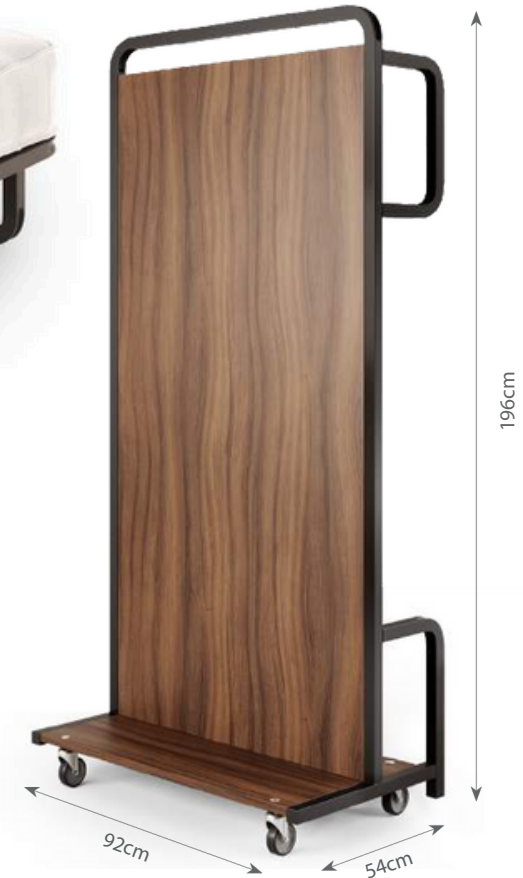
Product Codes:  
UprightBedwithe-Sprung Mattress - 201951

Product Codes:  
UprightBedwithe-Pocket Mattress - 201905



### Bed Features

- » An easy to store, heavy duty reliable solution for Guest Houses, Hotels, and other contract environments.
- » Designed to fit through a standard doorway .
- » Minimal upright storage footprint.
- » A choice of two luxury deep tufted mattresses.
- » Solid top mattress base.
- » Extra safe with no moving parts or hinges removing entrapment risk.
- » Mattress straps with adjustable fasteners ensure everything stays in place while in storage and in transit.
- » Legs act as handles to help lowering and raising bed into position.
- » Easy to wipe clean, scratch resistant durable powder coat painted steel frame.
- » Heavy duty 3" 360° castors for easy manoeuvrability.
- » FSC certified wood harvested from 100% approved, traceable, sustainable and ethical sources.
- » Full width headboard with a walnut effect finish.
- » Made with sustainably sourced, recyclable materials reducing landfill waste.
- » British made with a five year frame guarantee.
- » Exceeds internationally recognised safety standards.



**JAY-BE®**



360° Castors  
Heavy duty 3" castors for easy manoeuvrability



Pivot point  
End legs act as pivot points to safely lower for use.



Legs Handles  
Legs act as handles to help lowering and raising bed into position.



Solid top mattress base



365 days  
Suitable for regular use, can be used 365 days of the year.

# JAY-BE

## GP80 Grand

### Folding Bed with e-Pocket™ Mattress

Product Code: 126805 - Single  
Pocket sprung comfort

The Jay-Be Grand Pocket folding bed offers sumptuous comfort in a stylish design. 360-degree locking castors for mobility, and J-Grip™ legs offer greater stability. Ideal for guests and regular use.

#### Frame Specification

Frame size when open incl. Mattress: L194 x W80 x H50cm  
Frame size when folded: L24 x W80 x H118cm  
Bed weight: 14.9kg

#### Mattress Specification

Mattress size\*: L190 x W73 x H10cm  
Type: e-Pocket mattress  
Product code: 926805

#### Packed Size & Weights

Packed size: L26 x W81 x H110cm (2.32 m3)  
Packed weight: 21.1kg

\*Due to the handmade nature of the mattress, dimensions may slightly vary. There can be a tolerance of +/- 2cm (+/- 0.8ins) with all quoted measurements

#### Certifications

Exceeds British & EU Safety Standards

Relating to the Frame:  
BS EN 1725 – Stability and Durability

Relating to the mattress:

BS 7177 FR requirements for domestic use  
BS EN 597-1 - FR Cigarette test

BS EN 597-2 - FR Match test  
Recommended max. user weight†:

160kg

†Userweights are based on British and European Safety Tests.

Product is sold subject to Jay-Be® standard terms and conditions.  
See full terms at [jaybe.com/legal](http://jaybe.com/legal)

Sleep well, feel good.™

#### > Key Features:



Supportive Mono-Tex™ Platform Base



J-Grip™ Anti-Tip legs



Foot locking castors



Roll with ease



Patented folding mechanism



Hand tufted construction



> Roll with ease  
360° Foot locking castors

> Robust Legs, for 6-Point contact  
Providing a strong and stable sleep foundation

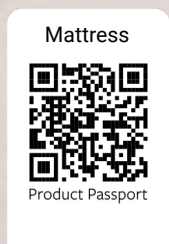
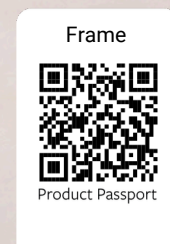
> Zinc coated steel frame  
for strength and rust protection

> Engineered for durability  
Lifetime frame guarantee

SUSTAINABLY



MADE IN THE UK





# J-Bed™

## SmallDouble Folding Bed

Available with Performance e-Fibre™  
or a Micro e-Pocket mattress.

Packed Size & Weights*	126x39x120cm (0.59m <sup>3</sup> )
<b>Packed size</b>	
<b>Performance e-Fibre</b>	40kg
<b>Micro e-Pocket</b>	44.5kg

Product Weights*	
<b>Performance e-Fibre</b>	35kg
<b>Micro e-Pocket</b>	39.5kg

Mattress Size & Product Codes*	
W118 x L199 x D10cm	910245
<b>Performance e-Fibre</b>	911265

Space under the bed when open: 22cm  
Recommended maximum user weight: 100kg\*\*

\*Metric and imperial sizes are not exact equivalents  
There can be a tolerance of +/- 2cm (+/- 0.8ins) with all quoted measurements.

### Certifications

Tested and certified by UKAS accredited testing houses North American† safety standards. (†Contract ready models)

Frame BS EN 1725	Mattress BS EN 597-1 - FR requirement BS EN 597-2 - FR requirement BS 7177 Domestic - FR requirements BS 6807 - Clause 9 (Source 5) FR requirement BS 7177 Contract - FR requirements † 16 CFR 1633 Standard †
---------------------	--



Made in the UK    Lifetime frame guarantee    Mattress depth 10cm    Sprung slatted base    360° castors    J-Lok mechanism

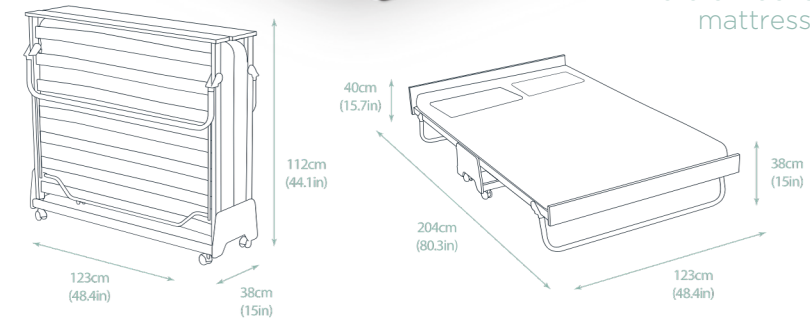
\*The J-Bed Performance e-Fibre features a mattress suitable for contract markets and the USA. 5 year frame guarantee when used in contract environments. Product is sold subject to Jay-Be® standard terms and conditions. See full terms at [jaybe.com/legal](http://jaybe.com/legal)

### Features

- Offering a more spacious sleeping area.
- Bringing together the most innovative technologies to create one of the most luxurious folding guest beds imaginable.
- Larger than a regular small double bed.
- Exclusive J-Lok mechanism enables effortless opening and closing, one side at a time.
- Lightweight anodised aluminium frame.
- Full width headboard and footboard with an Oak effect finish.
- Traditional sprung slatted base for adaptable support.
- FSC Certified Wood – harvested from 100% approved, traceable, sustainable and ethical sources.
- 360° castors for easy manoeuvrability.
- Made with sustainably sourced, recyclable materials reducing landfill waste.
- Exceeds British, European and North American† safety standards.



Product shown with a Micro e-Pocket mattress.



J-Bed Small Double with a Performance e-Fibre† mattress 111200



J-Bed Small Double with a Micro e-Pocket mattress 111265

Feel good, sleep well.™



100% foam free



Recyclable steel frame



Recyclable plastic brackets



Helping protect wildlife



Sustainable e-Fibre



FSC certified wood

# Footstool Bed

Product Code A50400-- (Brushed Twill and Cosy Chenille options)

A50411-- (Luxe Velvet options)

The perfect hybrid of functionality, style, and convenience.

Effortlessly transition from a chic footrest to a convenient bed whenever the need arises. With understated charm, the Jay-Be footstool bed seamlessly blends into any living space, discreetly providing the convenience of a hidden bed within. Choose from a diverse range of fabric options to personalise your Footstool and complement your individual interior design.

## Sofa Specification

Sofa bed weight 60kg

## Mattress Specification

Rebound e-Fibre

Type H7 x W69 x L183cm  
Size 973102

## Packed Size & Weights

Packed size Pack 1: L91 x W74 x H48cm  
Packed weight 65kg

\*Metric and imperial sizes are not exact equivalents  
There can be a tolerance of +/- 2cm (+/- 0.8ins) with all quoted measurements.

## Certifications

Tested and accredited to British and European safety standards including:

Relating to the Sofa Frame and Mattress Fillings:  
When in Luxe Velvet & Cosy Chenille (Domestic)  
When in Brushed Twill (Contract - medium hazard)

Relating to the mattress:

Standard: BS 7177 Contract (medium hazard) FR requirements  
Test: BS EN 597-1 - FR requirement Cigarette Test  
Test: BS EN 597-2 - FR requirement Source 1 Match Test  
Test: BS 6807 - FR requirement Source 5 (crib)

Relating to the mattress:

Furniture & Furnishings (Fire) (Safety) Regulations Test: BS 6807 - FR requirement Source 5 (crib)

†Suitable for Contract (medium hazard) use, when in Brushed Twill fabric.

Product is sold subject to Jay-Be® standard terms and conditions.  
See full terms at [jaybe.com/legal](http://jaybe.com/legal)

Sleep well, feel good.™



Super soft knitted fabric



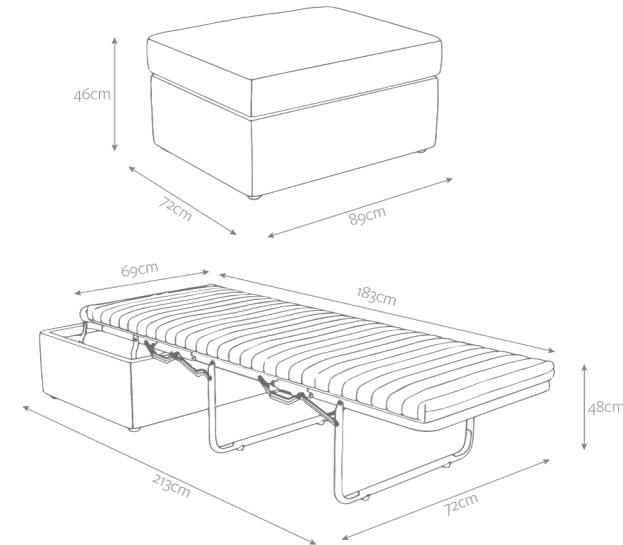
Advance e-Fibre™ for extra fine luxury comfort



Breathable Rebound e-Fibre™ comfort layers

Shown in Bottle Green

- High quality materials, ethically sourced.
- A comfortable bed in seconds.
- Fibre-wrapped cushion for extra comfort as a footstool.
- Eco award-winning Advance e-Fibre topped mattress, for extra comfort.
- GreenFR® Protection on upholstery fabrics: non-toxic flammability-resistant treatment.
- Natural salt-based FR treatment on mattress.
- OEKO-TEX™ 100 Standard certified fabrics, so no nasty chemicals are present.
- OEKO-TEX™ Eco Passport certified fabrics: for environmentally responsible textile production.
- FSC® certified, sustainably sourced wood has been used to make the frame.
- Mattress is 100% recyclable at the end of its useful life.
- Jay-Be uses recycled materials wherever possible and is a Zero to Landfill manufacturer.
- Sustainably made in the UK with a Lifetime Frame Guarantee and 5 Year Mattress Guarantee.



FSC certified wood



GreenFR® protection



OEKO-TEX™ STANDARD 100 Certified